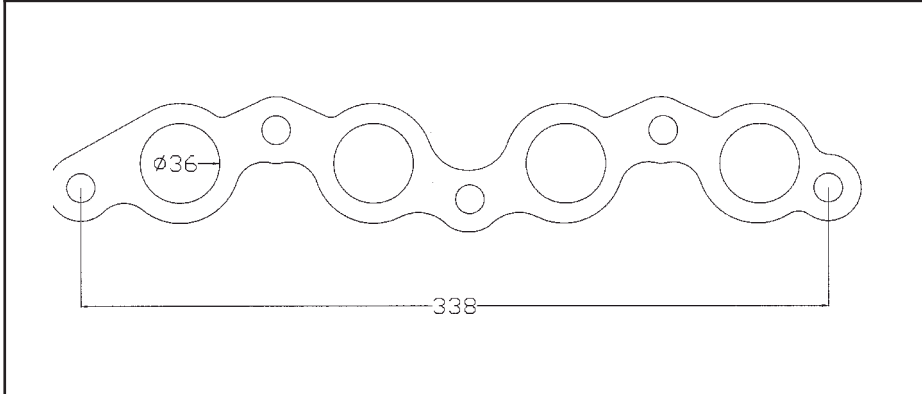


Flange: **FL9042**
 Gasket: GK9042

Motor:

1Y	1626cc	OHV	8V
2Y	1812cc	OHV	8V
3Y	1998cc	OHV	8V
4Y	2237cc	OHV	8V

L4

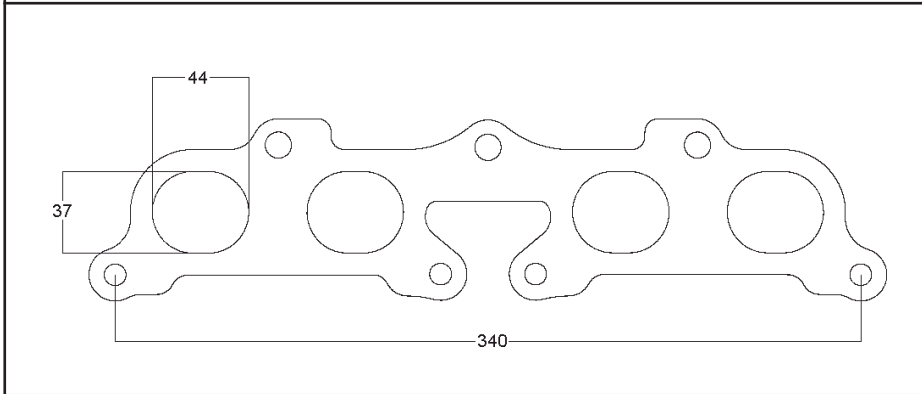


Flange: **FL9043**
 Gasket: GK9043

Motor:

4A-GE	1587cc	DOHC	16V
4A-ZGE	1587cc	DOHC	16V

L4 Inc Supercharged Motor.

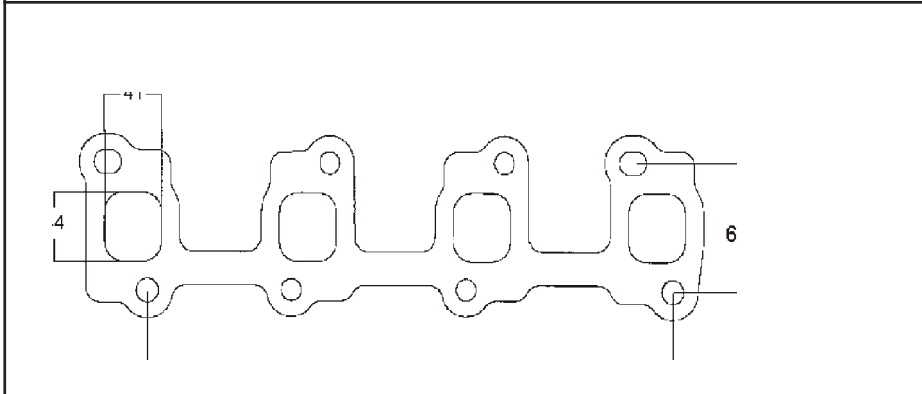


Flange: **FL9056**
 Gasket: GK9056

Motor:

3SFE + 3SGE	1998cc	DOHC	16V
3S-GELU	1998cc	DOHC	16V
3S-GTE	1998cc	DOHC	16V
4S-FE + 4SFI	1838cc	DOHC	16V
5S-FE	2164cc	DOHC	16V

L4

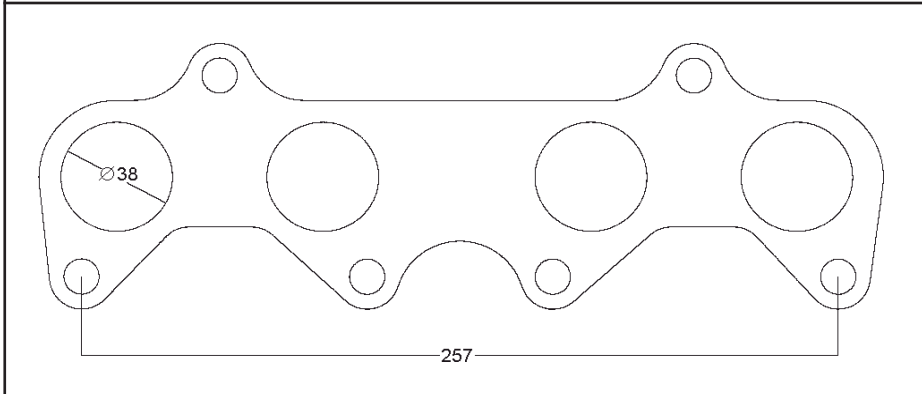


Flange: **FL9062**
 Gasket: GK9062

Motor:

1C	1839cc	SOHC	8V
3C	2184cc	SOHC	8V

L4 Diesel Engine.



Flange: **FL9074**
 Gasket: GK9074

Motor:

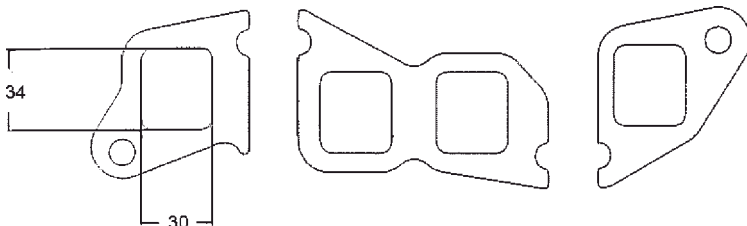
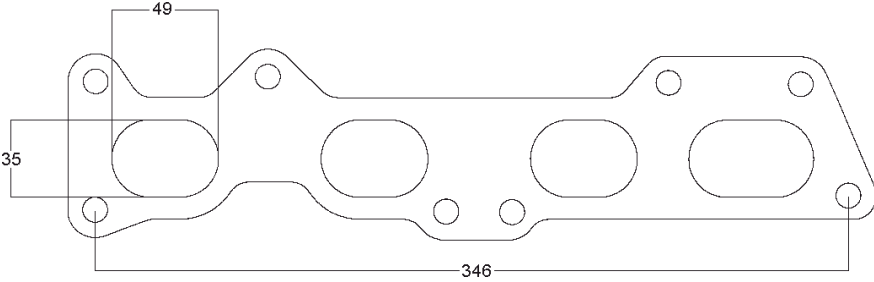
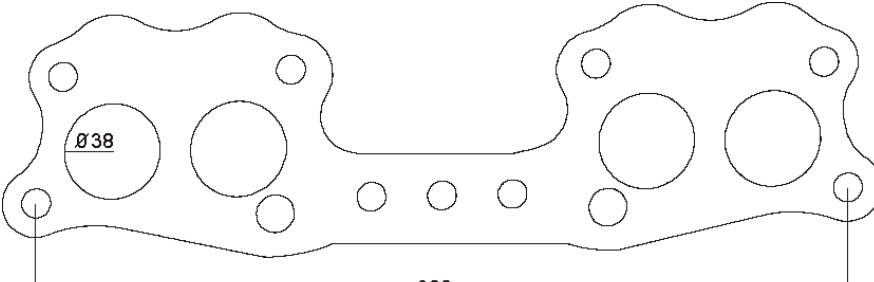
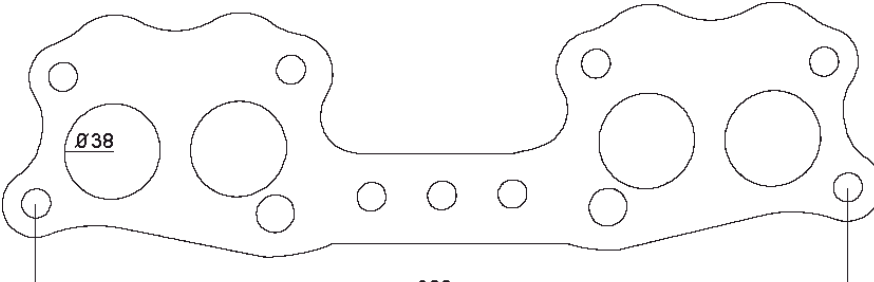
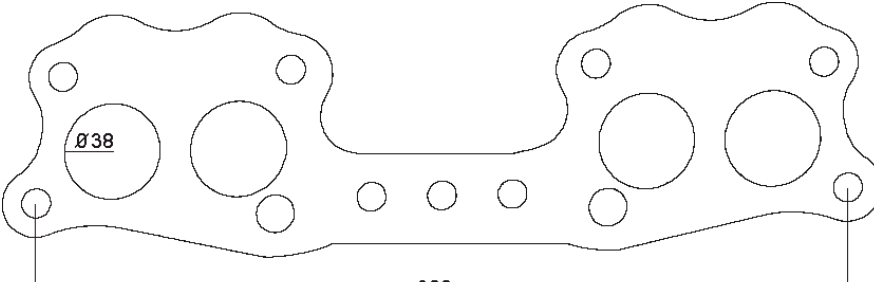
4E-FE	1381cc	DOHC	16V
5E-TE	1496cc	DOHC	16V

L4 Also with 41mm Holes, use FL9272.

TOYOTA 4CYL



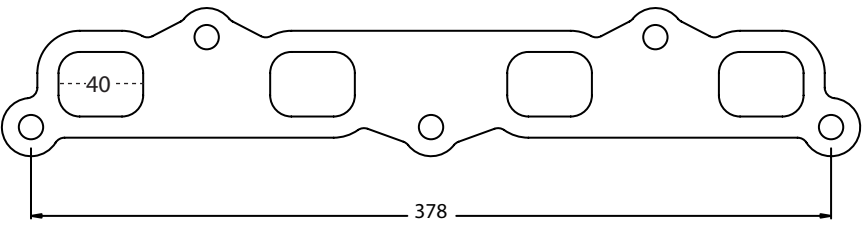
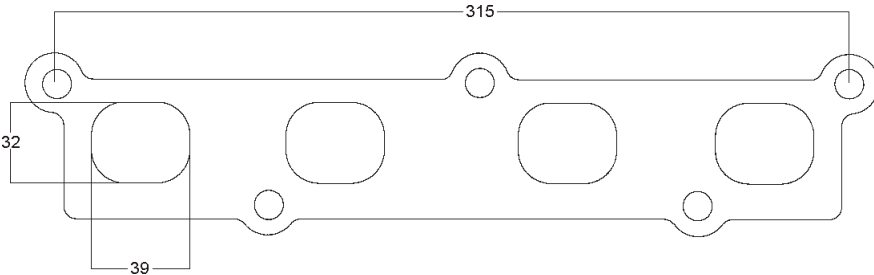
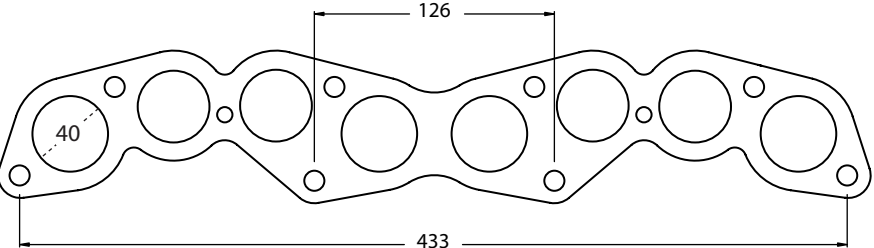
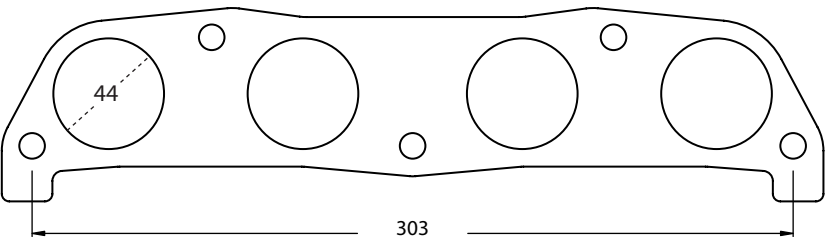
	<p>Flange: FL9078 Gasket: GK9078</p> <p>Motor:</p> <table border="0"> <tr> <td>4A-F + 4A-FE</td> <td>1587cc</td> <td>DOHC</td> <td>16V</td> </tr> <tr> <td>5A-F + 5A-FE</td> <td>1498cc</td> <td>DOHC</td> <td>16V</td> </tr> <tr> <td>7A-FE</td> <td>1762cc</td> <td>DOHC</td> <td>16V</td> </tr> </table> <p>L4</p>	4A-F + 4A-FE	1587cc	DOHC	16V	5A-F + 5A-FE	1498cc	DOHC	16V	7A-FE	1762cc	DOHC	16V				
4A-F + 4A-FE	1587cc	DOHC	16V														
5A-F + 5A-FE	1498cc	DOHC	16V														
7A-FE	1762cc	DOHC	16V														
	<p>Flange: FL9100 Gasket: GK9100</p> <p>Motor:</p> <table border="0"> <tr> <td>1E</td> <td>999cc</td> <td>SOHC</td> <td>12V</td> </tr> <tr> <td>2E</td> <td>1295cc</td> <td>SOHC</td> <td>12V</td> </tr> <tr> <td>3E</td> <td>1456cc</td> <td>SOHC</td> <td>12V</td> </tr> </table> <p>L4</p>	1E	999cc	SOHC	12V	2E	1295cc	SOHC	12V	3E	1456cc	SOHC	12V				
1E	999cc	SOHC	12V														
2E	1295cc	SOHC	12V														
3E	1456cc	SOHC	12V														
	<p>Flange: FL9101 Gasket: GK9101</p> <p>Motor:</p> <table border="0"> <tr> <td>2K</td> <td>993cc</td> <td>OHV</td> <td>8V</td> </tr> <tr> <td>3K</td> <td>1166cc</td> <td>OHV</td> <td>8V</td> </tr> <tr> <td>4K</td> <td>1290cc</td> <td>OHV</td> <td>8V</td> </tr> <tr> <td>5K</td> <td>1486cc</td> <td>OHV</td> <td>8V</td> </tr> </table> <p>L4</p>	2K	993cc	OHV	8V	3K	1166cc	OHV	8V	4K	1290cc	OHV	8V	5K	1486cc	OHV	8V
2K	993cc	OHV	8V														
3K	1166cc	OHV	8V														
4K	1290cc	OHV	8V														
5K	1486cc	OHV	8V														
	<p>Flange: FL9105 Gasket: GK9105</p> <p>Motor:</p> <table border="0"> <tr> <td>4A-GE</td> <td>1587cc</td> <td>DOHC</td> <td>20V</td> </tr> </table> <p>L4</p>	4A-GE	1587cc	DOHC	20V												
4A-GE	1587cc	DOHC	20V														
	<p>Flange: FL9114 Gasket: GK9114</p> <p>Motor:</p> <table border="0"> <tr> <td>2T + 2T-GEU</td> <td>1588cc</td> <td>DOHC</td> <td>8V</td> </tr> <tr> <td>3T</td> <td>1770cc</td> <td>OHV</td> <td>8V</td> </tr> <tr> <td>12T</td> <td>1588cc</td> <td>OHV</td> <td>8V</td> </tr> <tr> <td>13T</td> <td>1770cc</td> <td>OHV</td> <td>8V</td> </tr> </table> <p>L4</p>	2T + 2T-GEU	1588cc	DOHC	8V	3T	1770cc	OHV	8V	12T	1588cc	OHV	8V	13T	1770cc	OHV	8V
2T + 2T-GEU	1588cc	DOHC	8V														
3T	1770cc	OHV	8V														
12T	1588cc	OHV	8V														
13T	1770cc	OHV	8V														

	<p>Flange: FL9124 Gasket: GK9124</p> <p>Motor: 16R 1808cc SOHC 8V 18R 1968cc SOHC 8V</p> <p>L4</p>
	<p>Flange: FL9136 Gasket: GK9136</p> <p>Motor: 3S-GTE 1998cc DOHC 16V</p> <p>L4</p>
	<p>Flange: FL9159 Gasket: GK9159</p> <p>Motor: 1S 1832cc SOHC 8V</p> <p>L4</p>
	<p>Flange: FL9170 Gasket: GK9170</p> <p>Motor: 21R 1972cc SOHC 8V 22R 2367cc SOHC 8V</p> <p>L4</p>
	<p>Flange: FL9179 Gasket: GK9179</p> <p>Motor: 1RZ 1998cc SOHC 8V 2RZ-E 2438cc SOHC 8V</p> <p>L4</p>

TOYOTA 4CYL



	<p>Flange: FL9196 Gasket: GK9196</p> <p>Motor: 3T-G 1770cc DOHC 8V</p> <p>L4</p>
	<p>Flange: FL9239 Gasket:</p> <p>Motor: 2000 1995cc DOHC 16V</p> <p>L4</p>
	<p>Flange: FL9258 Gasket: GK9258</p> <p>Motor: 3S-GE 1998cc DOHC 16V</p> <p>L4 Altezza</p>
	<p>Flange: FL9267 Gasket: GK9267</p> <p>Motor: 4Y 2237cc OHV 8V</p> <p>L4</p>
	<p>Flange: FL9270 Gasket: GK9270</p> <p>Motor: 4A-GE 1587cc DOHC 20V</p> <p>L4 20Valve Variant.</p>

	<p>Flange: FL9296 Gasket: GK9296</p> <p>Motor: 18R-GEU 1968cc DOHC 8V</p> <p>L4</p>
	<p>Flange: FL9381 Gasket:</p> <p>Motor: Toyota Race Series.</p>
	<p>Flange: FL9392 Gasket: GK9392</p> <p>Motor: 5R 1994cc OHV 8V</p> <p>L4 Carburettor.</p>
	<p>Flange: FL9418 Gasket:</p> <p>Motor: MR2 1ZZ-FE 1794cc DOHC 16V</p> <p>L4 Fuel Injection.</p>
