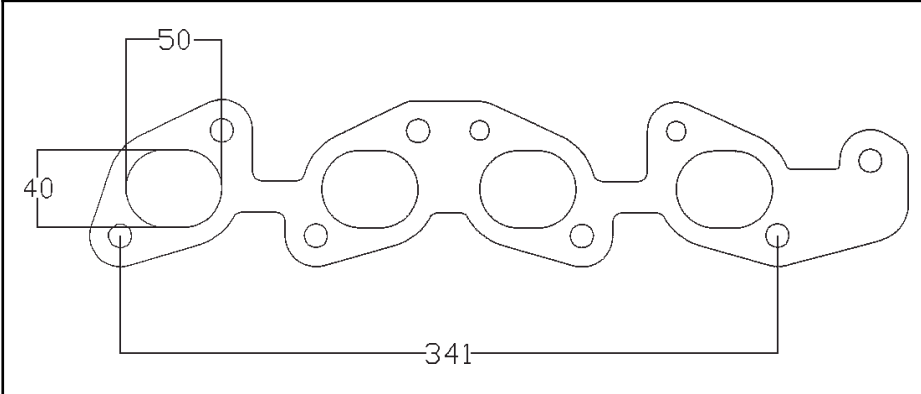
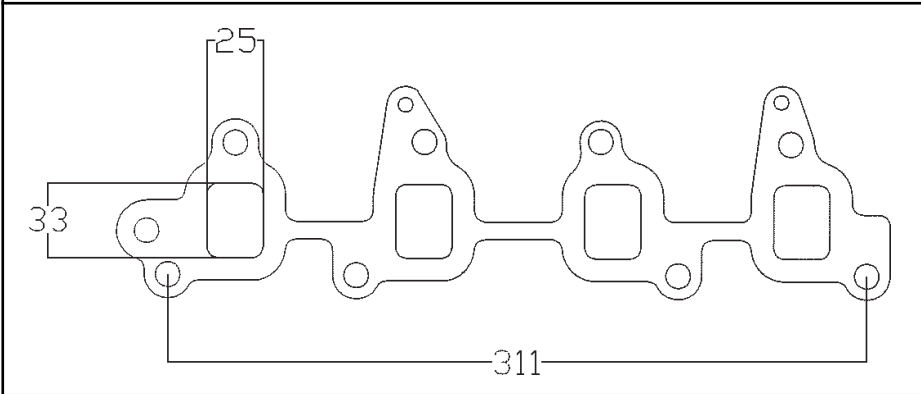
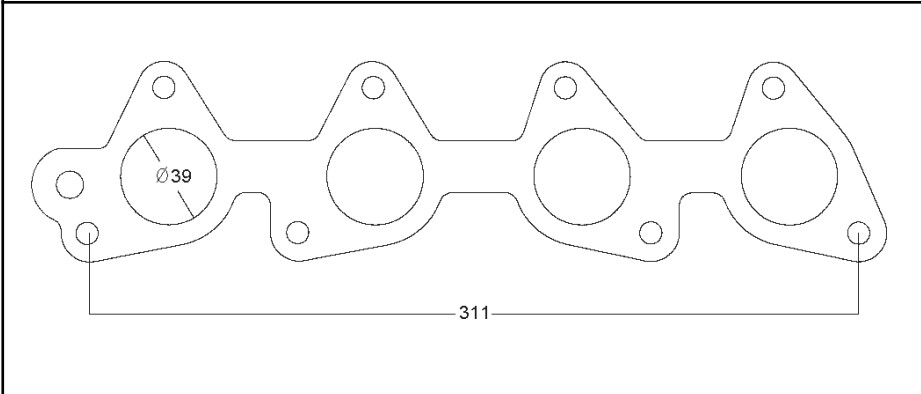
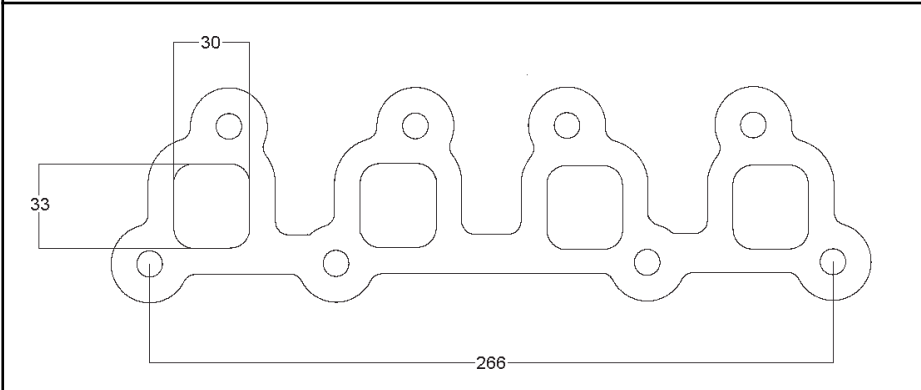
	<p>Flange: FL9016 Gasket: GK9016</p> <p>Motor: G15A 1493cc SOHC 16V G16B 1590cc SOHC 16V</p> <p>L4</p>
	<p>Flange: FL9038 Gasket: GK9038</p> <p>Motor: J20A 1995cc DOHC 16V</p> <p>L4</p>
	<p>Flange: FL9070 Gasket: GK9070</p> <p>Motor: G13A 1324cc SOHC 8V G16B 1590cc SOHC 16V</p> <p>L4</p>
	<p>Flange: FL9089 Gasket: GK9089</p> <p>Motor: G13B 1298cc DOHC 16V</p> <p>Swift GTI</p>
	<p>Flange: FL9108 Gasket: GK9108</p> <p>Motor: F10A 970cc SOHC 8V</p> <p>L4</p>

	<p>Flange: FL9141 Gasket: GK9141</p> <p>Motor: N15A 1500cc</p> <p>Ignis</p>
	<p>Flange: FL9195 Gasket: GK9195</p> <p>Motor: AB51 796cc SOHC 6V F5A 543cc SOHC</p> <p>L3</p>
	<p>Flange: FL9199 Gasket: GK9199</p> <p>Motor: G13B 1298cc SOHC 16V</p> <p>L4</p>
	<p>Flange: FL9261 Gasket: GK9261</p> <p>Motor: H20A 1998cc DOHC 24V H25A 2493cc DOHC 24V H27A 2700cc DOHC 24V</p> <p>V6 Fuel Injection.</p>
	<p>Blank space for technical drawing.</p>