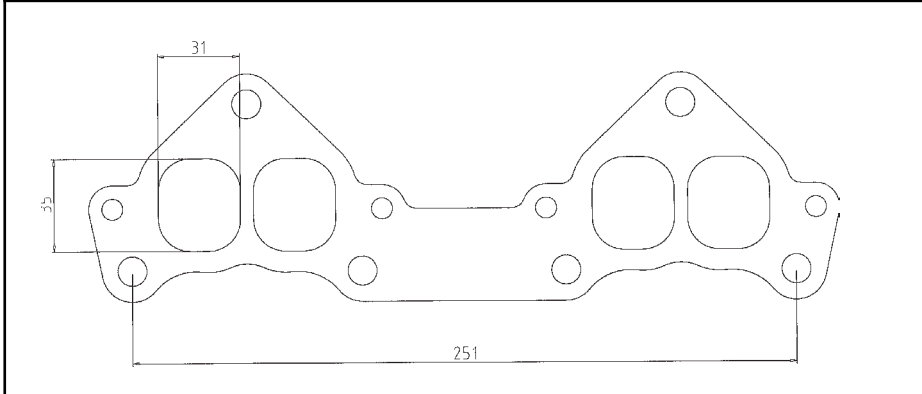


Flange: **FL9018**
 Gasket: GK9018

Motor:
 4G62, 4G62T 1795cc SOHC 8V
 4G63, 4G63T 1997cc SOHC 8V
 4G64 2351cc SOHC 8V

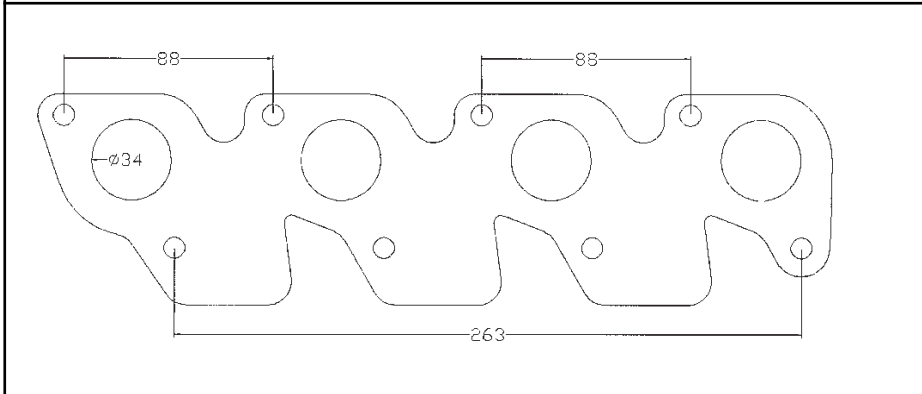
L4 Sirius Belt Drive



Flange: **FL9052**
 Gasket: GK9052

Motor:
 4G11 1244cc SOHC 8V
 4G12 1410cc SOHC 8V
 4G13 1298cc SOHC 8V + DOHC 12V
 4G15 1468cc SOHC 8V + 12V
 4G15 1468cc DOHC 16V

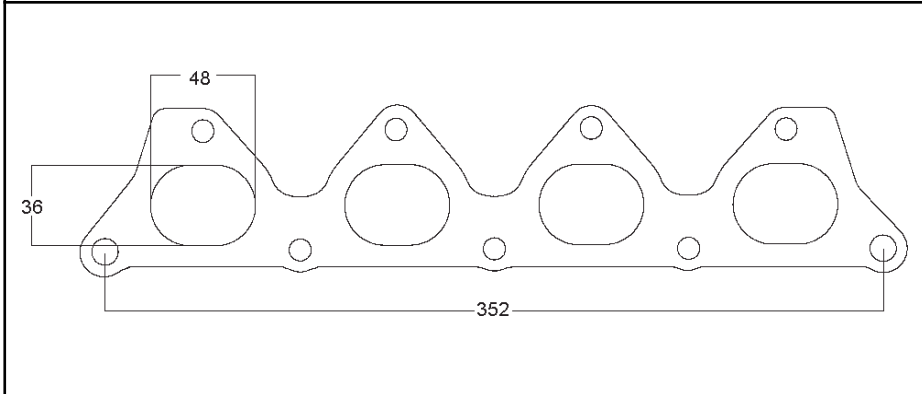
L4



Flange: **FL9055**
 Gasket: GK9055

Motor:
 4G32, 4G32T 1597cc SOHC 8V
 4G33 1439cc SOHC 8V
 4G36 1238cc SOHC 8V

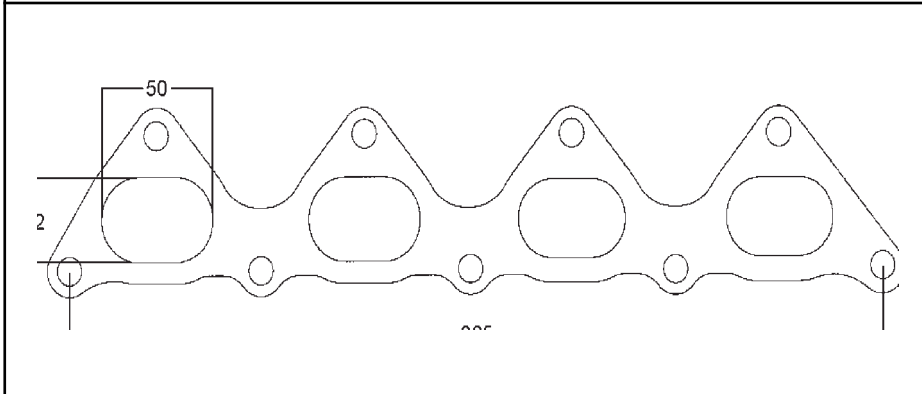
L4 Saturn Motor Belt + Chain Drive.



Flange: **FL9061**
 Gasket: GK9061

Motor:
 4G91 1496cc DOHC 16V
 4G92 1597cc SOHC 16V
 4G93 1597cc DOHC 16V
 4G93 1834cc SOHC 16V
 4G93 1934cc DOHC 16V

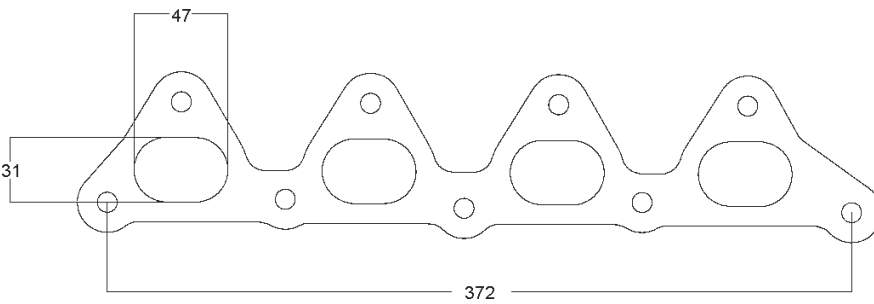
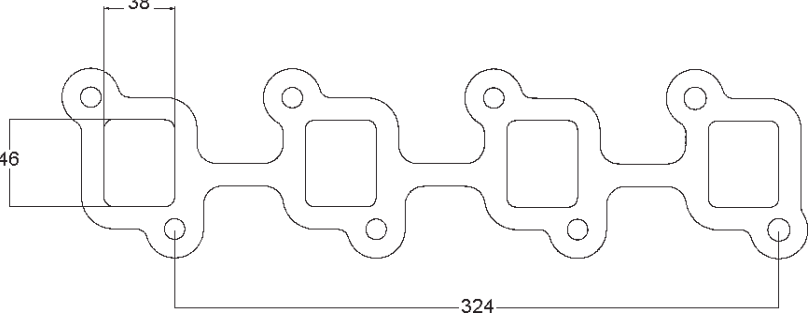
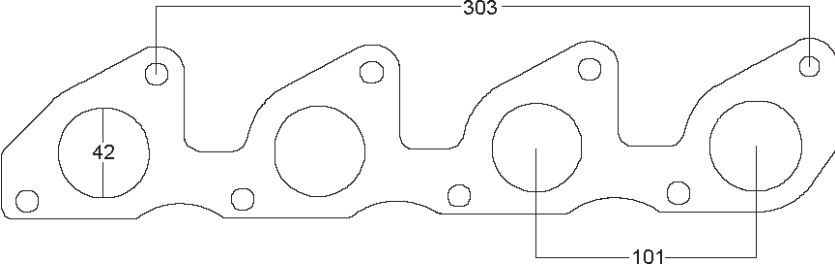
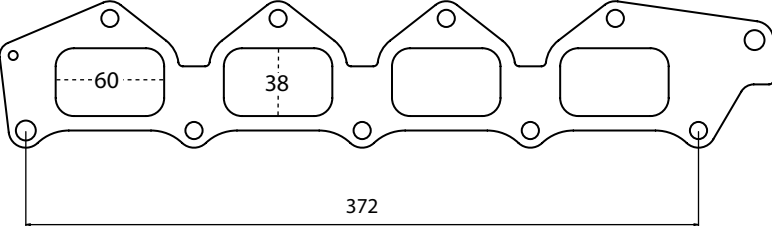
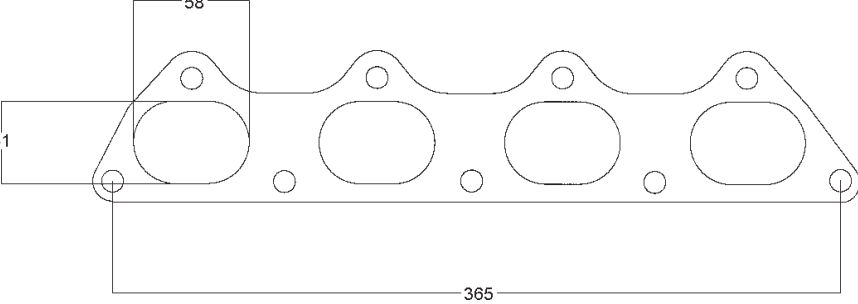
L4 Belt Drive Even Ports.

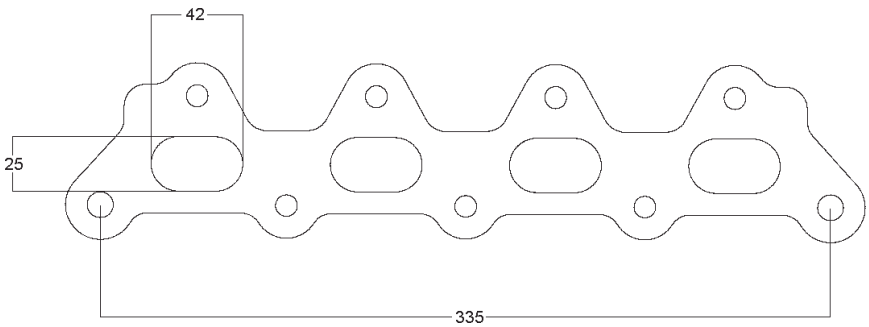
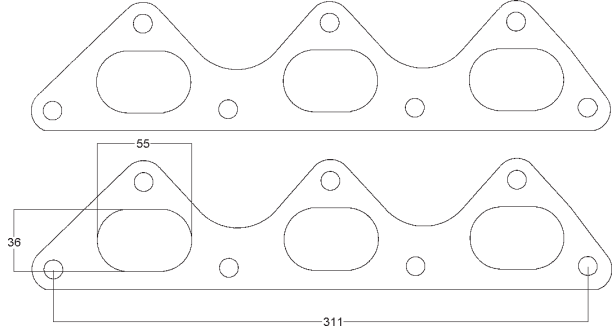

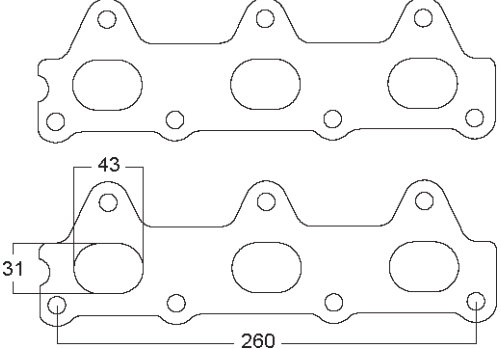
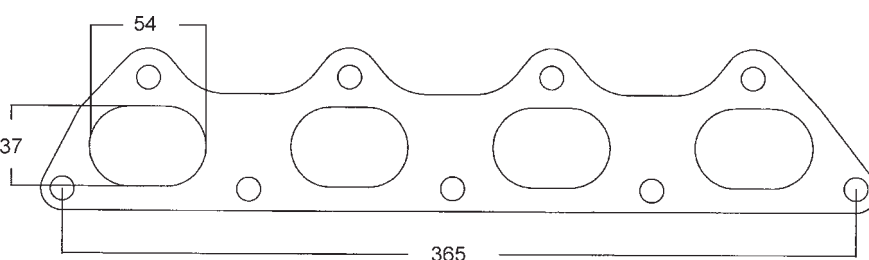


Flange: **FL9063**
 Gasket: GK9063

Motor:
 4G61, 4G61T 1595cc DOHC 16V
 4G63, 4G63T 1997cc DOHC 16V
 4G67 1836cc DOHC 16V

L4 Belt Drive Even Port.

	<p>Flange: FL9107 Gasket: GK9107</p> <p>Motor:</p> <p>MIVEC - Check Listings</p>
	<p>Flange: FL9112 Gasket: GK9112</p> <p>Motor: 4M40 2835cc SOHC 8V 4M40T 2835cc SOHC 8V</p> <p>L4 Diesel Engine</p>
	<p>Flange: FL9122 Gasket: GK9122</p> <p>Motor: 4G51 1855cc SOHC 8V 4G52 1995cc SOHC 8V 4G53 2384cc SOHC 8V 4G54 2555cc SOHC 8V</p> <p>Astron Chain Drive</p>
	<p>Flange: FL9131 Gasket:</p> <p>Motor: 4G63 2000cc DOHC 16V 2000cc SOHC 8V + 12V + 16V DOHC - TURBOCHARGED + GDI + EFI + Fuel Injected. SOHC 8V+12V - TURBOCHARGED & 16V EFI + 8V Carburettor + 8V Carb Injected.</p> <p>L4</p>
	<p>Flange: FL9138 Gasket: GK9138</p> <p>Motor: 4G63, 4G63T 1997cc SOHC+DOHC 4G64 2351cc SOHC+DOHC</p> <p>L4 Sirius Belt Drive</p>

	<p>Flange: FL9143 Gasket: GK9143</p> <p>Motor: 4G15 1468cc DOHC 16V</p>
	<p>Flange: FL9177 Gasket: GK9177</p> <p>Motor: 6G72 2972cc DOHC 24V 6G73 2497cc DOHC 24V 6G74 3496cc DOHC 24V</p> <p>V6</p>
	<p>Flange: FL9182 Gasket: GK9182</p> <p>Motor: 6G72 2972cc SOHC 24V 6G74 3496cc SOHC 24V</p> <p>V6 (1997 - on)</p>
	<p>Flange: FL9185 Gasket: GK9185</p> <p>Motor: 6A10 1597cc DOHC 24V 6A11 1829cc SOHC 24V 6A12 1998cc SOHC 24V 6A12 1998cc DOHC 24V</p> <p>V6 Belt Drive</p>
	<p>Flange: FL9282 Gasket:</p> <p>Motor: 4G63, 4G63T 1997cc SOHC+DOHC 4G64 2351cc SOHC+DOHC</p> <p>Sirius Belt Drive</p>

	<p>Flange: FL9290 Gasket:</p> <p>Motor: 4G63/T 2000cc DOHC + SOHC 4G64 2400cc DOHC + SOHC</p> <p>L4</p>
	<p>Flange: FL9314 Gasket: GK9314</p> <p>Motor: 6G71 1998cc SOHC 12V 6G72 2972 SOHC 12V</p> <p>V6</p>
	<p>Flange: FL9380 Gasket: GK9380</p> <p>Motor: 4D30 3298cc 4D31, 4D31T 3298cc 4D34, 4D34T 3907cc</p> <p>Diesel & Turbo</p>
	<p>Flange: FL9383 Gasket: GK9383</p> <p>Motor: 4D56 2500cc OHC 4D56T 2500cc OHC</p> <p>Diesel Engine</p>
	<p>Flange: FL9416 Gasket:</p> <p>Motor: 4G63</p> <p>L4</p>