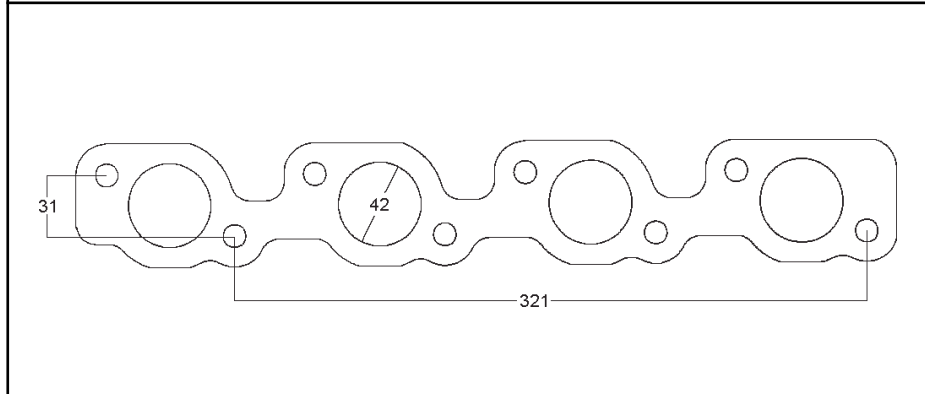


Flange: **FL9004**
 Gasket: GK9004

Motor:

2L	2446cc	SOHC	8V
3L	2779cc	SOHC	8V
5L	2986cc	SOHC	8V

L4 From August 1998.

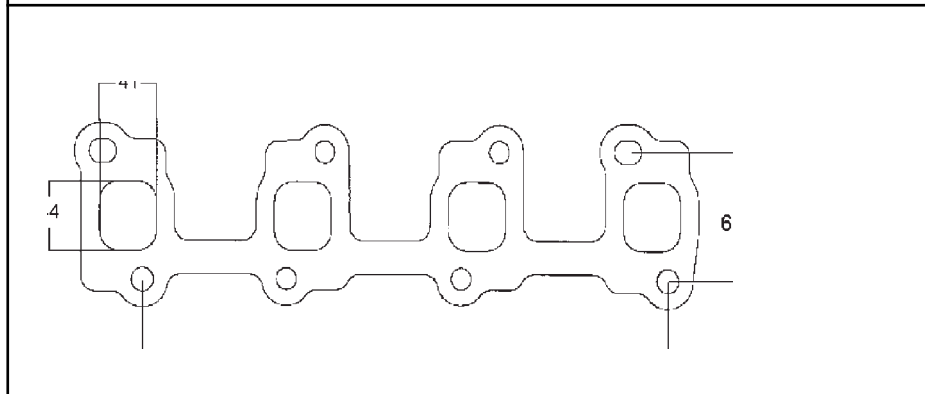


Flange: **FL9005**
 Gasket: GK9005

Motor:

L	2188cc	SOHC	8V
2L	2446cc	SOHC	8V

L4 Up to August 1988.

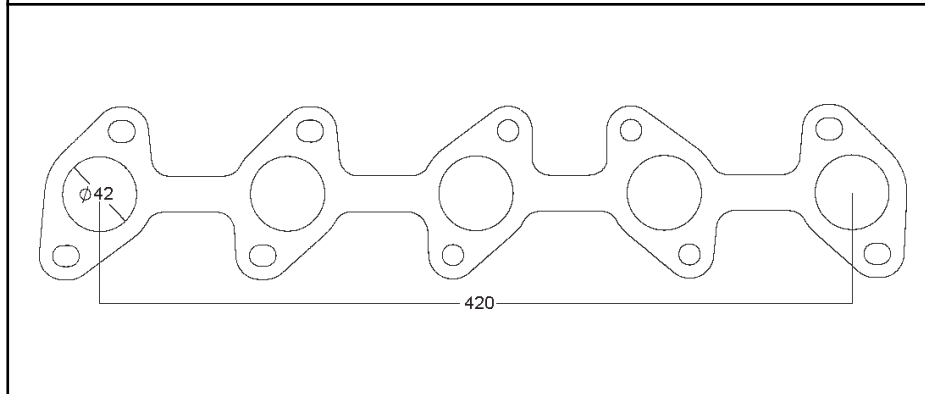


Flange: **FL9062**
 Gasket: GK9062

Motor:

1C	1839cc	SOHC	8V
2C	1974cc	SOHC	8V
3C-T	2184cc	SOHC	8V

L4

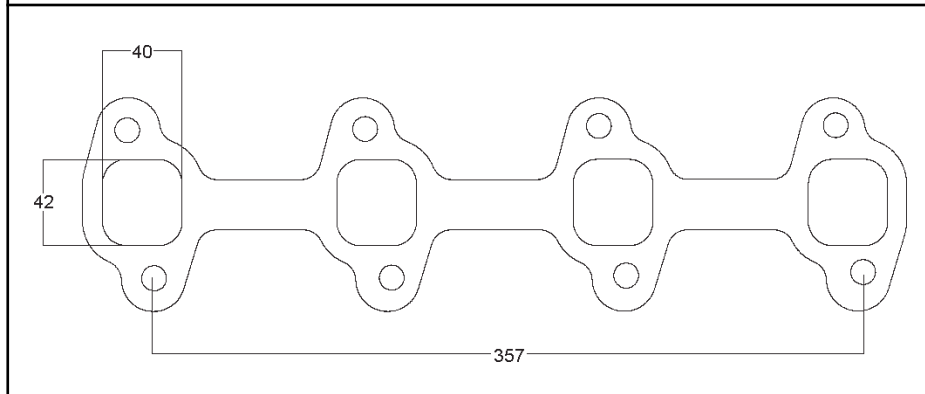


Flange: **FL9129**
 Gasket: GK9129

Motor:

1PZ	3470cc	SOHC	10V
-----	--------	------	-----

L5

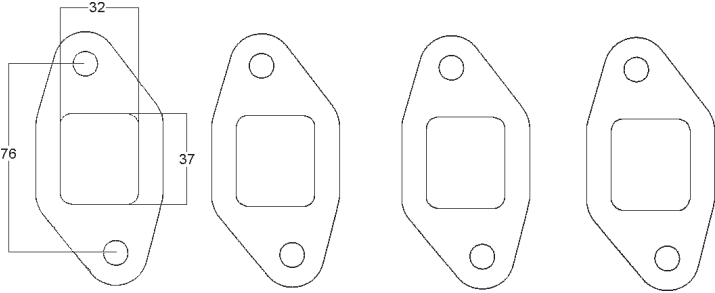
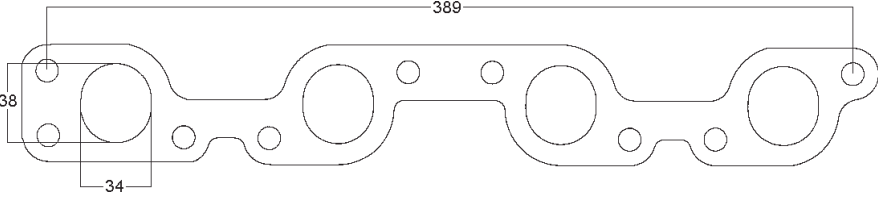
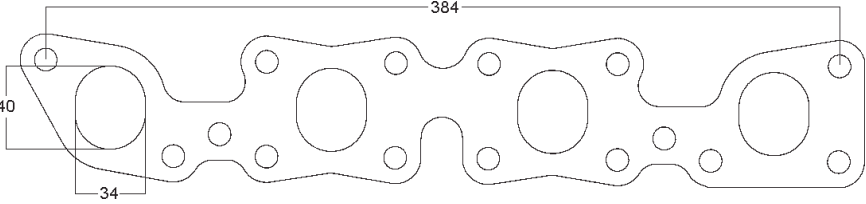


Flange: **FL9130**
 Gasket: GK9130

Motor:

B	2977cc	OHV	8V
3B	3431cc	OHV	8V
11B	2977cc	OHV	8V
13B + 13B-T	3431cc	OHV	8V

L4

	<p>Flange: FL9155 Gasket: GK9155</p> <p>Motor: 2H 3980cc OHC 12V</p> <p>L6</p>
	<p>Flange: FL9163 Gasket: GK9163</p> <p>Motor: 2B 3618cc OHV 8V B 2977cc OHV 8V</p> <p>L4</p>
	<p>Flange: FL9164 Gasket: GK9164</p> <p>Motor: 2L-T + 2L-TE 2446cc SOHC 8V 2L-THE 2446cc SOHC 8V</p> <p>L4</p>
	<p>Flange: FL9165 Gasket: GK9165</p> <p>Motor: 2L-T + 2L-TE 2446cc SOHC 8V 3L + 3L-T 2779cc SOHC 8V</p> <p>L4 From August 1988.</p>
	<p>Flange: FL9166 Gasket: GK9166</p> <p>Motor: 1KZ-TE 2982cc SOHC 8V</p> <p>L4</p>

Flange: **FL9214**

Gasket: GK9214

Motor:

1HZ 4164cc SOHC 12V

L6