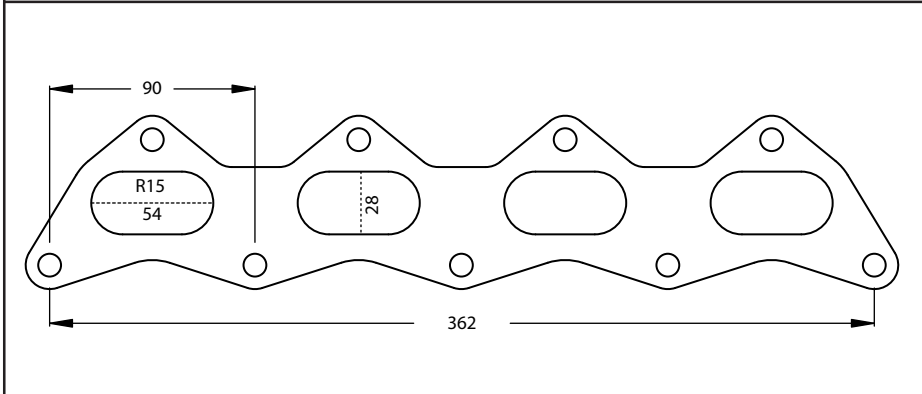


Flange: **FL9095**  
 Gasket: GK9095

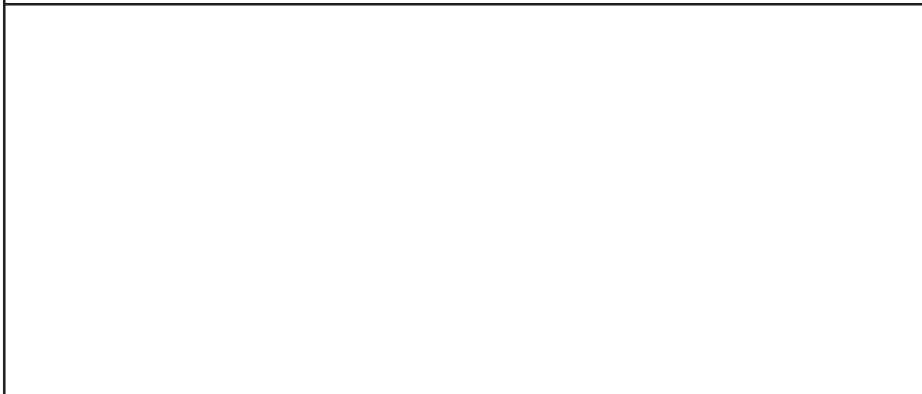
Motor:  
 1600                    1585cc DOHC  
 1800                    1756cc DOHC  
 2000                    1995cc DOHC



Flange: **FL9240**  
 Gasket:

Motor:  
 2000                    1995cc DOHC 8V  
 Inlet Manifold. T/Body

L4



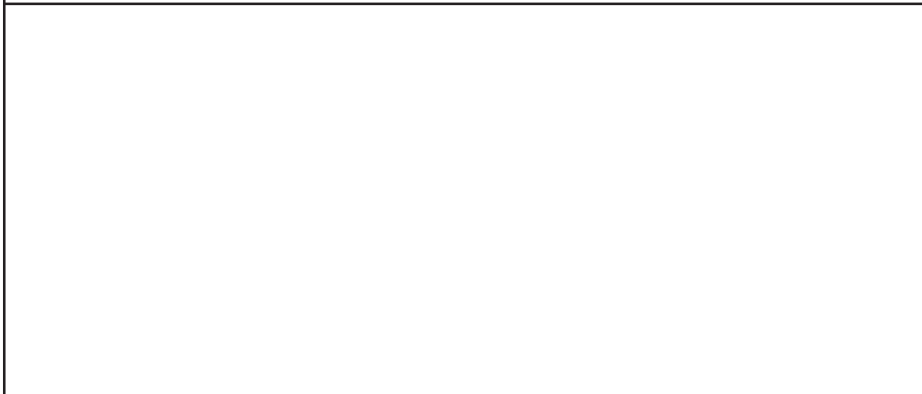
Flange:  
 Gasket:

Motor:



Flange:  
 Gasket:

Motor:



Flange:  
 Gasket:

Motor: