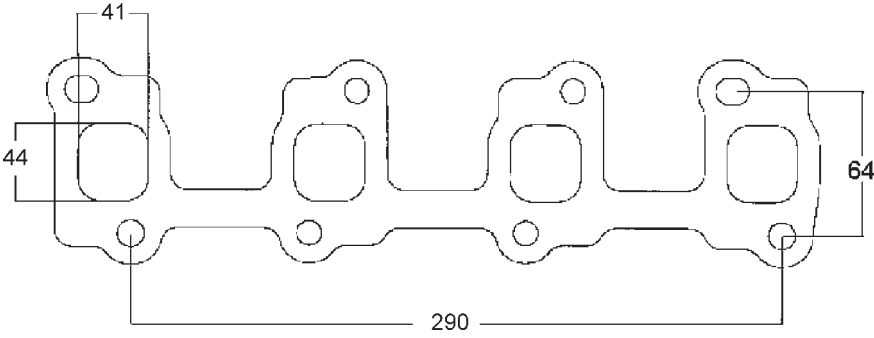
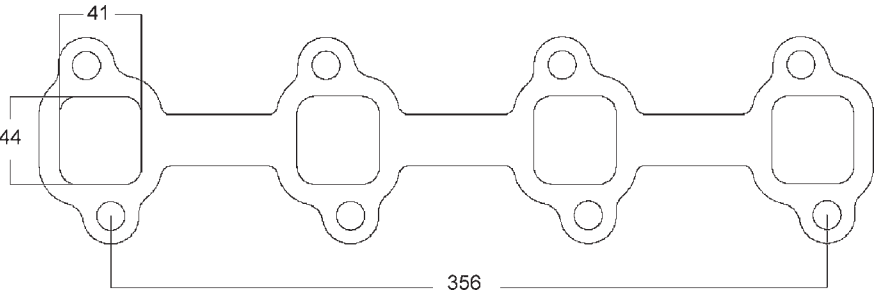
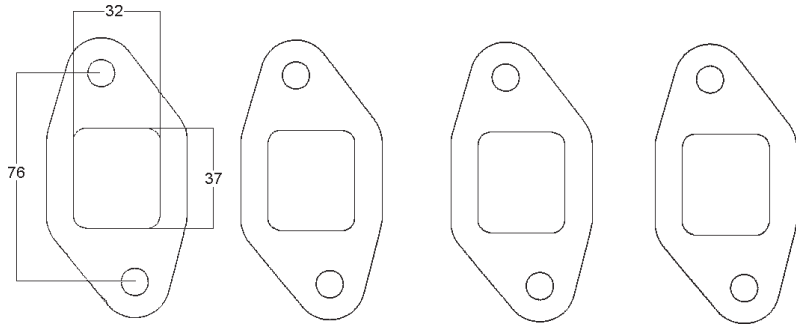
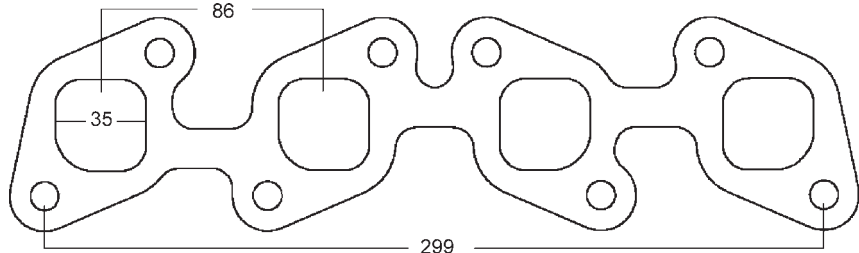
	<p>Flange: FL9042 Gasket: GK9042</p> <p>Motor: 3Y 1998cc OHV 4Y 2237cc OHV</p> <p>Toyota Motor</p>
	<p>Flange: FL9062 Gasket: GK9062</p> <p>Motor: 1C, 1C-L 1839cc OHC 2C, 2C-L 1974cc OHC 3C-T 2184cc OHC</p>
	<p>Flange: FL9130 Gasket: GK9130</p> <p>Motor: B 2977cc OHV 13B 3431cc OHV</p>
	<p>Flange: FL9163 Gasket: GK9163</p> <p>Motor: B 2977cc OHV</p>
	<p>Flange: FL9219 Gasket: GK9219</p> <p>Motor: HD-F HD-E 1589cc 16v</p>

	<p>Flange: FL9232 Gasket: GK9232</p> <p>Motor: Charade CB 993cc SOHC 6V CB-T 993cc SOHC 6V</p> <p>L3</p>
	<p>Flange: FL9246 Gasket: GK9245</p> <p>Motor: DL 2765cc OHV (Diesel)</p> <p>Delta, Ruggar</p>
	<p>Flange: FL9396 Gasket:</p> <p>Motor: HD-F 1600cc SOHC 16V</p> <p>L4</p>
	<p>Flange: Gasket:</p> <p>Motor:</p>
	<p>Flange: Gasket:</p> <p>Motor:</p>